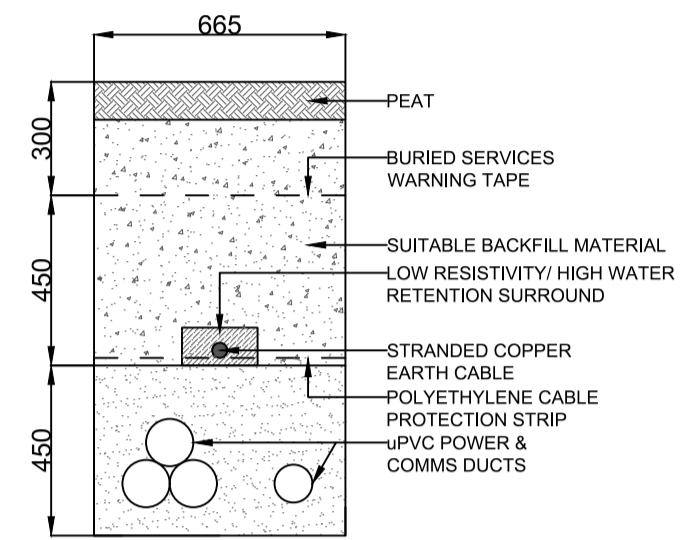
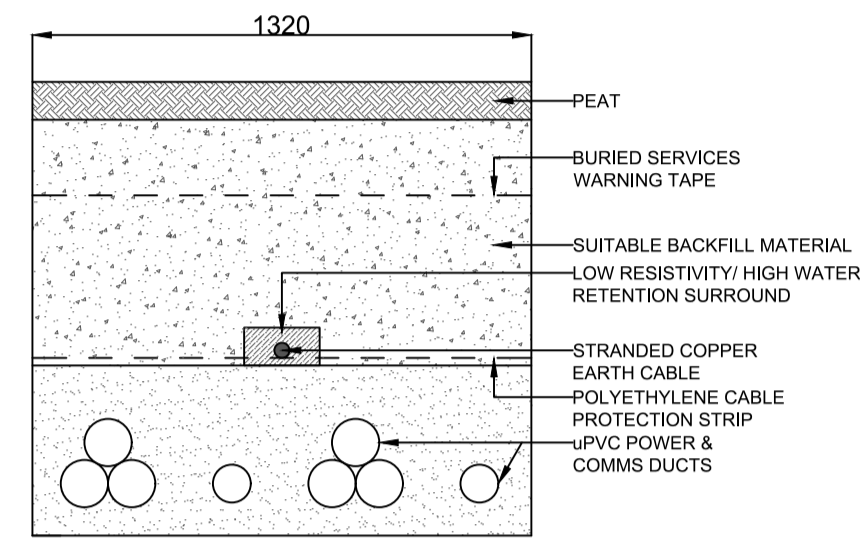


**NOTES:**

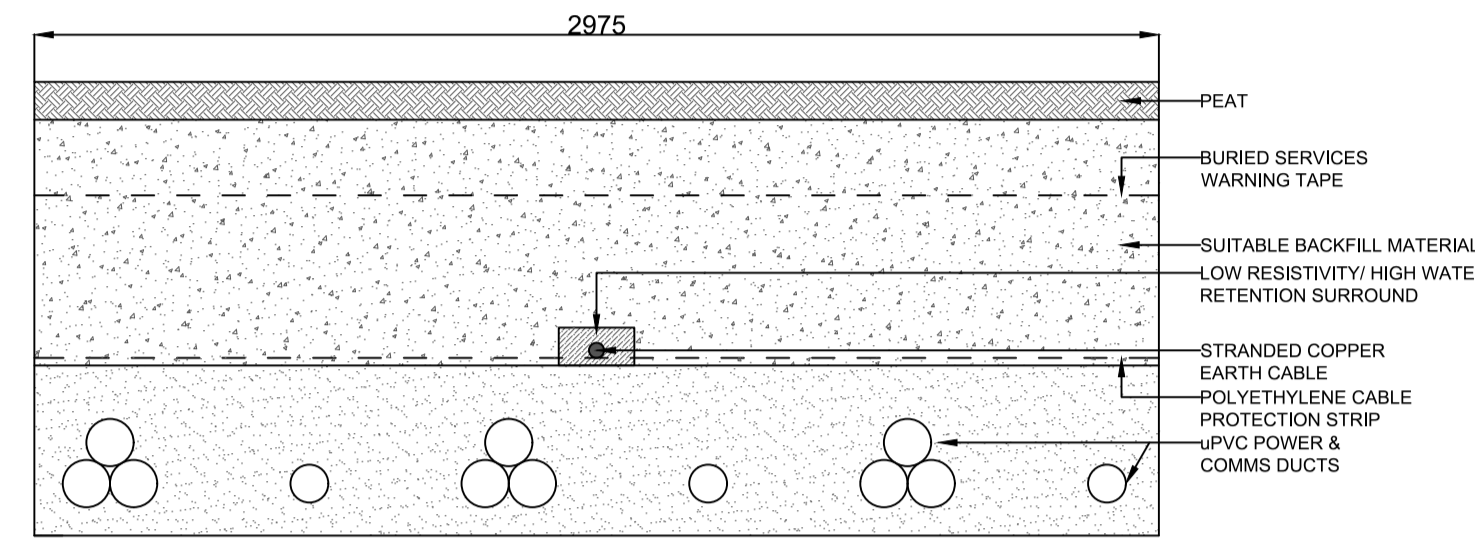
1. ALL DIMENSIONS NOTED ARE IN MM
2. COPPER STRANDED EARTH CABLE TO BE SIZED IN ACCORDANCE WITH EARTHING AND LIGHTNING STUDIES
3. SUITABLE BACKFILL MATERIAL IS SUBJECT TO THE APPROVAL OF THE RESIDENT ENGINEER
4. DESIGN SHOWN IS INDICATIVE AND DUCT TYPE/ LOCATION / SPACING IS TO BE CONFIRMED WITH THE ELECTRICAL CONTRACTOR/ DESIGNER PRIOR TO CONSTRUCTION WORKS COMMENCING



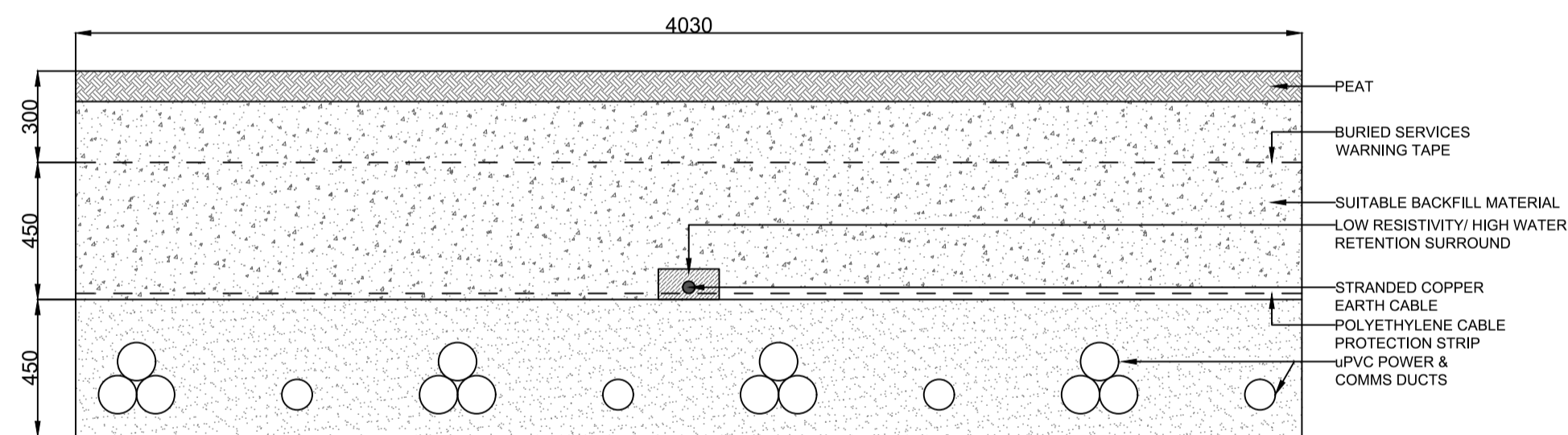
CABLE TRENCH TYPE 1



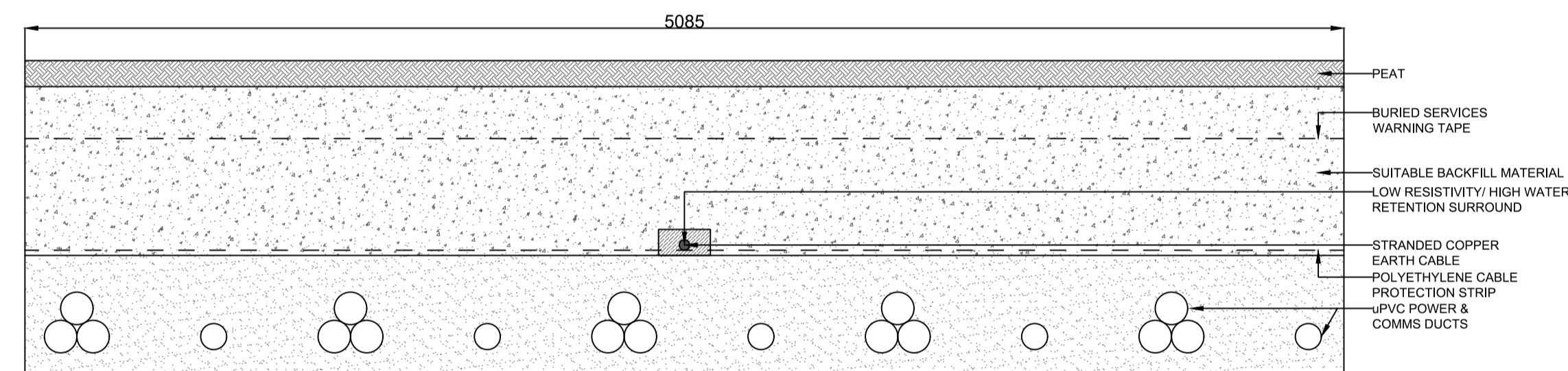
CABLE TRENCH TYPE 2



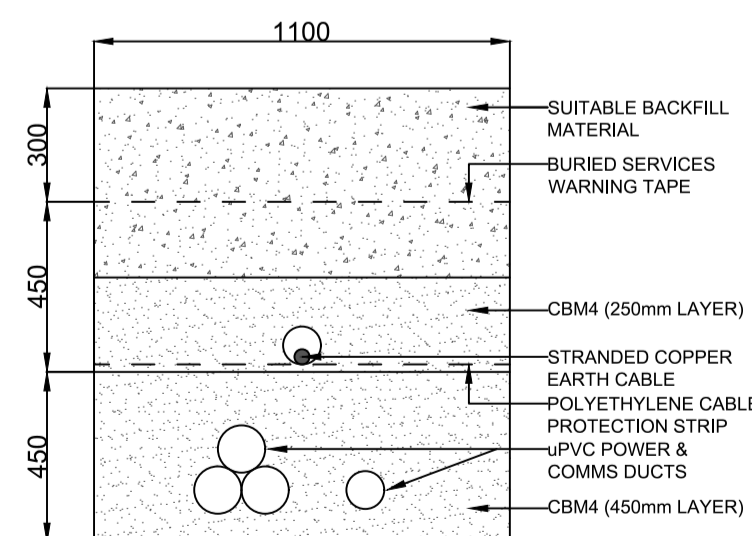
CABLE TRENCH TYPE 3



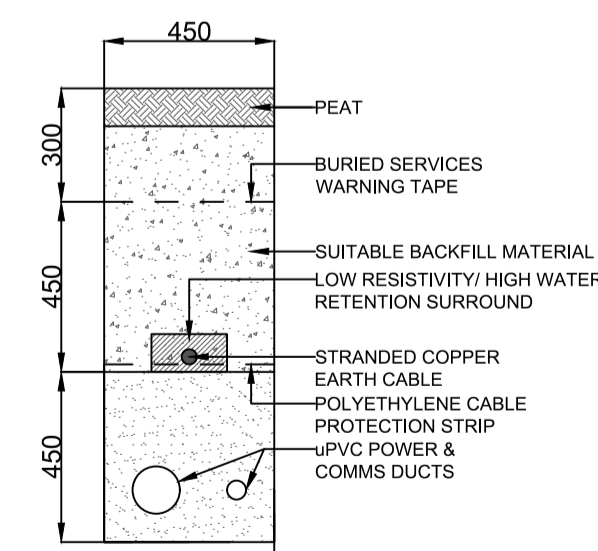
CABLE TRENCH TYPE 4



CABLE TRENCH TYPE 5



ROAD CROSSING TRENCH DETAIL (TYPICAL)



MET MAST TRENCH DETAIL (TYPICAL)

**NOTES:**

1. FIGURED DIMENSIONS ONLY TO BE TAKEN FROM THIS DRAWING.
2. ALL DRAWINGS TO BE CHECKED BY THE CONTRACTOR ON SITE
3. ENGINEER/EMPLOYERS REPRESENTATIVE, AS APPROPRIATE, TO BE INFORMED BY THE CONTRACTOR OF ANY DISCREPANCIES BEFORE ANY WORK COMMENCES
4. THE CONTRACTOR SHALL UNDERTAKE A THOROUGH CHECK FOR THE ACTUAL LOCATION OF ALL SERVICES/UTILITIES ABOVE AND BELOW GROUND, BEFORE ANY WORK COMMENCES
5. ALL LEVELS SHOWN RELATE TO ORDNANCE SURVEY DATUM AT MALIN HEAD

| Rev | Date     | Description    | By | Chkd. |
|-----|----------|----------------|----|-------|
| A   | Jan. '19 | PLANNING ISSUE | MN | ST    |

Client: **BORD NA MÓNA**  
Naturally Driven

Project: **DERRYADD WIND FARM**

Title: **TYPICAL TRENCH BEDDING DETAILS**

Scale @ A1: **1:20**  
 Prepared by: **M. Nolan** Checked: **S. Tinnelly** Date: **January 2019**  
 Project Director: **D. Grehan**  
 Drawing Status: **Planning**

**TOBIN**  
Patrick J. Tobin & Co. Ltd.  
 TOBIN Consulting Engineers,  
 Block 10-4, Blanchardstown Corporate Park,  
 Dublin 15, Ireland.  
 tel: +353-(0)1-8030406  
 fax: +353-(0)1-8030409  
 e-mail: dublin@tobin.ie  
 www.tobin.ie

Tobin Consulting Engineers will not be liable for any use of this document for any purpose other than that for which it was originally prepared and provided. Except where specifically and explicitly agreed in writing by TOBIN Consulting Engineers, no copyright holder, no part of this document may be reproduced or transmitted in any form and this document shall not be relied upon by any third party for any purpose.

Drawing No.: **10325-2027** Revision: **A**